



## BASIC FUNCTION AUDIO PROCESSOR

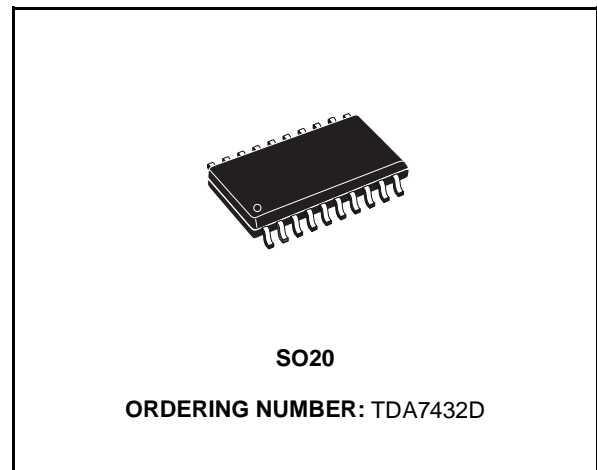
- ONE STEREO AND ONE MONO INPUTS
- MUTE FUNCTION (SOFTWARE AND HARDWARE) CONTROLLED
- VOLUME CONTROL IN 1dB STEP
- BASS AND TREBLE CONTROL IN 2dB STEP
- FULLY PROGRAMMABLE LOUDNESS CONTROL
- FOUR SPEAKER ATTENUATORS:
  - Independent attenuation control
  - Independent mute function
- ALL FUNCTIONS PROGRAMMABLE VIA I<sup>2</sup>C BUS

### DESCRIPTION

The TDA7432 is a volume, tone (bass and treble) balance (Left/Right) processor for quality audio applications in car radio and Hi-Fi systems.

Control is accomplished by serial bus microprocessor interface.

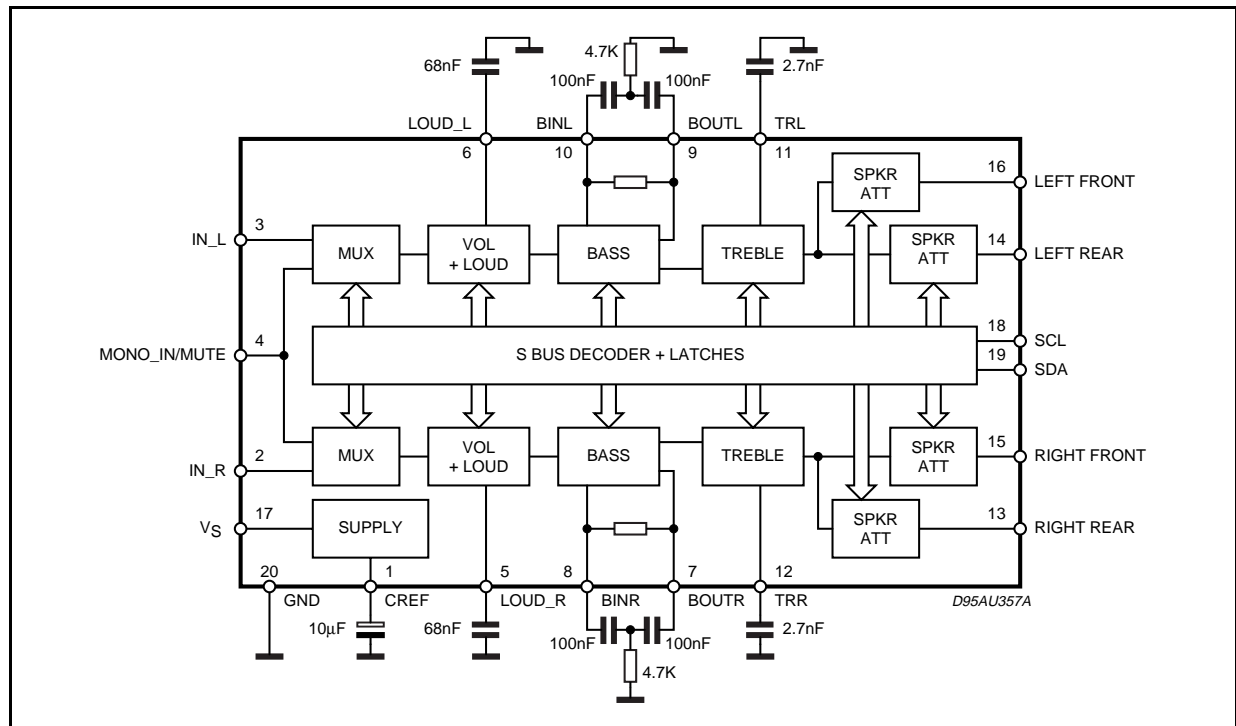
The AC signal setting is obtained by resistor net-



works and switches combined with operational amplifiers.

Thanks to the advanced BIPOLAR/CMOS Technology, the external components have been reduced.

### BLOCK DIAGRAM



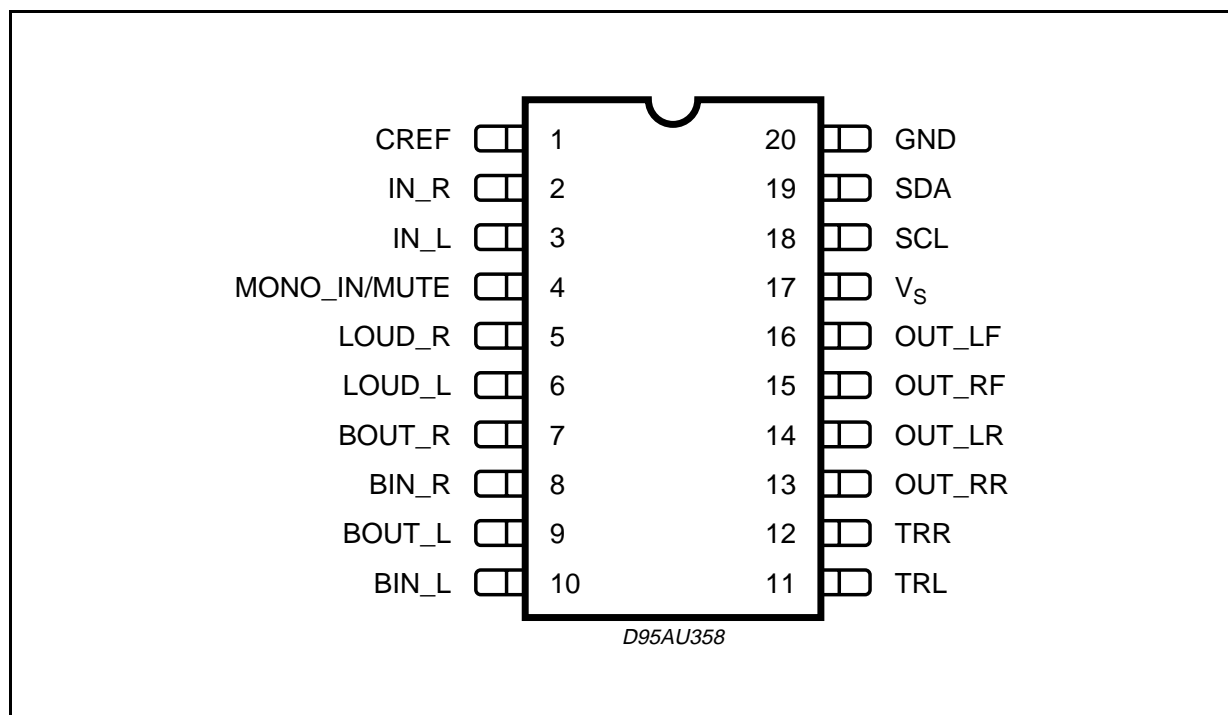
**ABSOLUTE MAXIMUM RATINGS**

Symbol	Parameter	Value	Unit
V <sub>S</sub>	Operating Supply Voltage	10.2	V
T <sub>amb</sub>	Operating Temperature Range	-40 to 85	°C
T <sub>stg</sub>	Storage Temperature Range	-55 to +150	°C

**QUICK REFERENCE DATA**

Symbol	Parameter	Min.	Typ.	Max.	Unit
V <sub>S</sub>	Supply Voltage	7	9	10.2	V
V <sub>CL</sub>	Max. Input Signal Handling	1.3	1.6		V <sub>rms</sub>
THD	Total Harmonic Distortion (V = 1V <sub>rms</sub> f = 1kHz)		0.05		%
S/N	Signal to Noise Ratio		102		dB
Sc	Channel Separation f = 1kHz		100		dB
	Volume Control 1dB step	-79		+32	dB
	Bass Control 2dB step	-18		+18	dB
	Treble Control 2dB step	-14		+14	dB
	Speaker Attenuators	-37.5		0	dB
	Mute Attenuation		100		dB

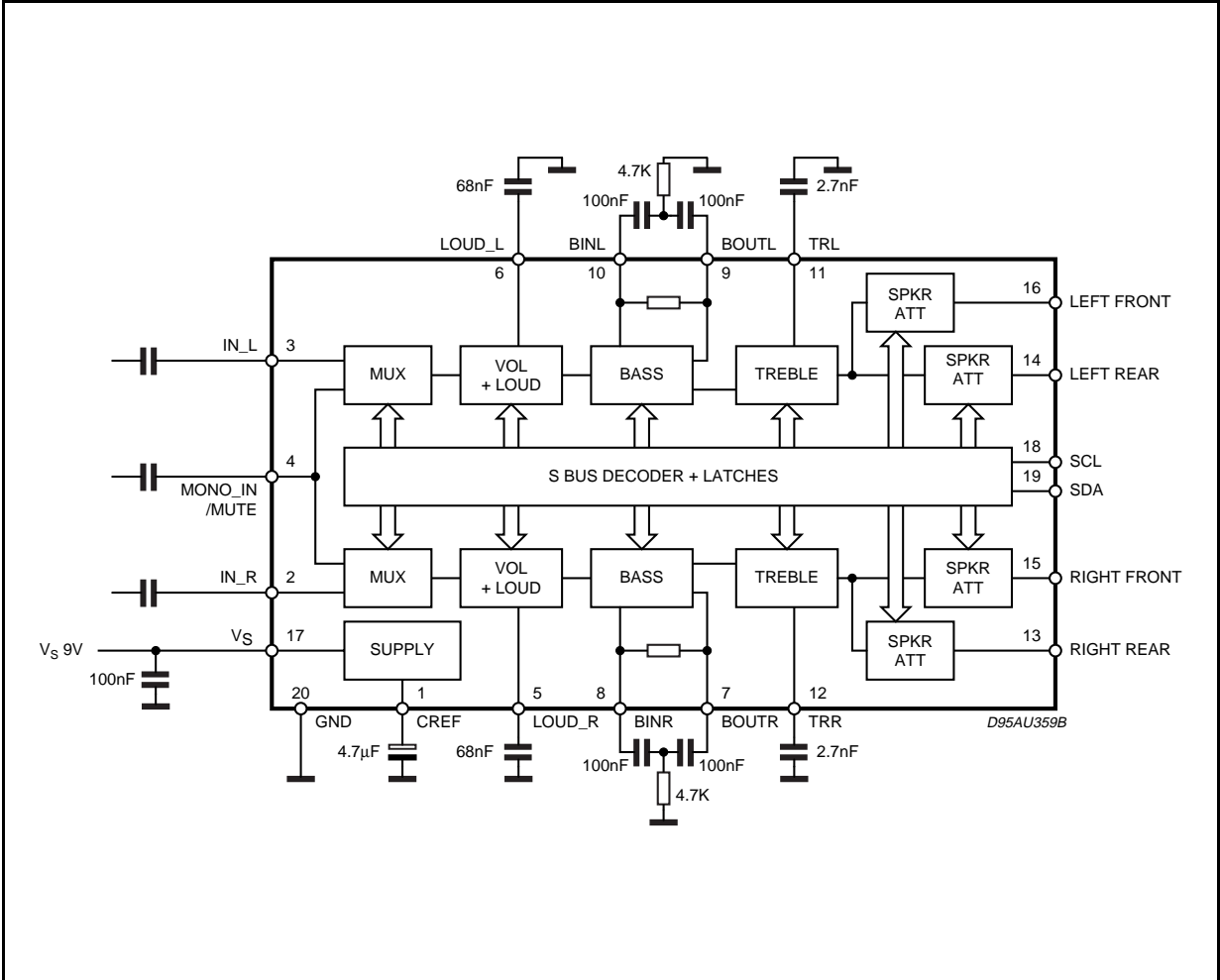
**PIN CONNECTION (Top View)**



**THERMAL DATA**

Symbol	Parameter	Value	Unit
R <sub>th j-pins</sub>	Thermal Resistance Junction-pins	Max. 150	°C/W

APPLICATION CIRCUIT



## TDA7432

**ELECTRICAL CHARACTERISTICS** ( $T_{amb} = 25^{\circ}\text{C}$ ,  $V_S = 9\text{V}$ ,  $R_L = 10\text{k}\Omega$ ,  $R_g = 50\Omega$ , all variable gains = 0dB,  $f = 1\text{kHz}$ , unless otherwise specified.)

Symbol	Parameter	Test Condition	Min.	Typ.	Max.	Unit
<b>INPUT SELECTOR</b>						
$R_{IN}$	Input Resistance		70	100	130	$\text{k}\Omega$
$V_{CL}$	Clipping Level	$d \leq 0.3\%$	1.3	1.6		V <sub>rms</sub>
$S_{IN}$	Input Separation		70	100		dB
$A_{MUTE}$	Input Mute Attenuation		70	95		dB
$V_{DC}$	Mute DC Step			0.2	10	mV
<b>MUTE AT AM INPUT (*)</b>						
$V_{IL}$	Input Low Voltage	AM not selected			0.4	V
<b>VOLUME CONTROL</b>						
$G_{MAX}$	Max. Gain	Note 2	30.5	32	33.5	dB
$A_{MAX}$	Max Attenuation		75	79	83	dB
$A_{step}$	Step Resolution		0.5	1	1.5	dB
$E_A$	Attenuation Set Error	$G = +20$ to $-20\text{dB}$	-1	0	+1	dB
		$G = -20$ to $-60\text{dB}$	-2		2	dB
$E_T$	Tracking Error	$G = -20$ to $-60\text{dB}$			2	dB
$V_{DC}$	DC Steps	Adjacent Attenuation Steps, Range from 0 to $-79\text{dB}$		0.1	4	mV
		From 0dB to $-79\text{dB}$		0.5	10	mV
<b>LOUDNESS CONTROL</b>						
$A_{MAX}$	Control Range		14	15	16	dB
$A_{step}$	Step Resolution		0.5	1	1.5	dB
$R_{LOUD}$	Internal Resistor		37	50	63	$\text{k}\Omega$
<b>BASS CONTROL</b>						
$B_{RANGE}$	Max. Bass boost		15.5	18	20	dB
$B_{CUT}$	Max. Bass cut		-20	-18	-15.5	dB
$A_{step}$	Step Resolution		1	2	3	dB
$R_B$	Internal Feedback Resistance		48	65	82	$\text{k}\Omega$
<b>TREBLE CONTROL</b>						
$C_{RANGE}$	Control Range		$\pm 13$	$\pm 14$	$\pm 15$	dB
$A_{step}$	Step Resolution		1	2	3	dB
<b>SPEAKER ATTENUATORS</b>						
$C_{RANGE}$	Control Range		36	37.5	39	dB
$A_{step}$	Step Resolution	From 0 to $-24\text{dB}$	0.5	1	1.5	dB
$A_{MUTE}$	Output Mute Attenuation		70	90		dB
$E_A$	Attenuation Set Error	From 0 to $-24\text{dB}$			1	dB
$V_{DC}$	DC Steps	Adjacent Attenuation Steps		0.1	4	mV
<b>AUDIO OUTPUTS</b>						
$V_{CLIP}$	Clipping Level	$d = 0.3\%$	2	2.5		V <sub>rms</sub>
$G_{OUT}$	Output Gain (fixed)			4		dB
$R_L$	Output Load Resistance	AC - connected	3			$\text{k}\Omega$
		DC connected to GND	5			
$C_L$	Output Load Capacitance				10	nF
$R_{OUT}$	Output Impedance			30	100	$\Omega$
$V_{DC}$	DC Voltage Level		3.7	4	4.3	V

(\*) The mute function can be activated without using the I2C bus by grounding the AM input when AM is not selected. This causes the input multiplexer to select the reference voltage instead of an input signal.

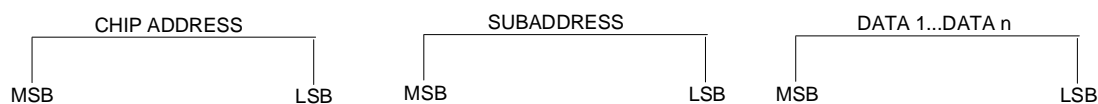
**ELECTRICAL CHARACTERISTICS** (continued)

Symbol	Parameter	Test Condition	Min.	Typ.	Max.	Unit
<b>GENERAL</b>						
V <sub>S</sub>	Supply Voltage		6	9	10.2	V
I <sub>S</sub>	Supply Current		5	8	11	mA
PSRR	Power Supply Rejection Ratio		65	80		dB
e <sub>NO</sub>	Output Noise	20Hz - 20kHz "A" - weighted BW = 200Hz - 20kHz, flat output muted		4 7.0 5.5	20	μV μV μV
S/N	Signal to Noise Ratio	all gains = 0dB; V <sub>O</sub> = 1Vrms		103		dB
d	Distortion	V <sub>OUT</sub> = 1Vrms		0.05	0.15	%
Sc	Channel Separation		70	80		dB
E <sub>T</sub>	Total Tracking Error	A <sub>V</sub> = 0 to -20dB A <sub>V</sub> = -20 to -60dB		0 0	1 2	dB dB
<b>BUS INPUTS</b>						
V <sub>IL</sub>	Input Low Voltage				1	V
V <sub>IH</sub>	Input High Voltage		3			V
I <sub>IN</sub>	Input Current	V <sub>IN</sub> = 0.4V	-5		+5	μA
V <sub>O</sub>	Output Voltage SDA Acknowledge	I <sub>O</sub> = 1.6mA		0.15	0.4	V

**SOFTWARE SPECIFICATION****Interface Protocol**

The interface protocol comprises:

- a start condition (S)
- a chip address byte (the LSB bit determines read / write transmission)
- a subaddress byte
- a sequence of data (N-bytes + acknowledge)
- a stop condition (P)



S	1	0	0	0	1	0	1	R/W	ACK	X	X	X	I	A <sub>3</sub>	A <sub>2</sub>	A <sub>1</sub>	A <sub>0</sub>	ACK				DATA				ACK	P
---	---	---	---	---	---	---	---	-----	-----	---	---	---	---	----------------	----------------	----------------	----------------	-----	--	--	--	------	--	--	--	-----	---

ACK = Acknowledge

S = Start

P = Stop

MAX CLOCK SPEED 500kbits/s

**Auto Increment**

If bit I in the subaddress byte is set to "1", the autoincrement of the subaddress is enabled.

# TDA7432

## SUBADDRESS (receive mode)

MSB				LSB				FUNCTION
X	X	X	I	A3	A2	A1	A0	
				0	0	0	0	Input selector
				0	0	0	1	Volume
				0	0	1	0	Bass, Treble
				0	0	1	1	Speaker attenuator LF
				0	1	0	0	Speaker attenuator LR
				0	1	0	1	Speaker attenuator RF
				0	1	1	0	Speaker attenuator RR
				0	1	1	1	Loudness

I = Auto increment

X = Not used

## DATA BYTE SPECIFICATION

X = not relevant; set to "1" during testing

### Input Selector

MSB				LSB				FUNCTION
D7	D6	D5	D4	D3	D2	D1	D0	
					0	0	0	IN
					0	0	1	not used
					0	1	0	mono
					0	1	1	no input selected
					1	X	X	mute (low homic)
			0	0				non-symmetrical bass cut (note 1)
			1	1				symmetrical bass cut
		0						extended bass range
		1						standard bass range $\pm 14$ dB

For example to select the MONO input the Data Byte is: X X X X 0 1 0.

An additional direct mute function is included in the Speaker Attenuators.

Note 1: Bass cut for very low frequencies.

MSB				LSB				VOLUME
D7(*)	D6	D5	D4	D3	D2	D1	D0	
1	0	0	0					+32dB
1	0	0	1					+16dB
1	0	1	0					0dB
1	0	1	1					-16dB
1	1	0	0					-32dB
1	1	0	1					-48dB
1	1	1	0					-64dB
1				0	0	0	0	0dB
1				0	0	0	1	-1dB
1				0	0	1	0	-2dB
1				1	1	1	1	-15dB

(\*) Loudness = ON

Note 2:

It is not recommended to use a gain more than 20dB for system performance reason. In general, the max. gain should be limited by software to the maximum value, which is needed for the system.

**Bass, Treble**

	MSB				LSB				FUNCTION
	D <sub>7</sub>	D <sub>6</sub>	D <sub>5</sub>	D <sub>4</sub>	D <sub>3</sub>	D <sub>2</sub>	D <sub>1</sub>	D <sub>0</sub>	
					0	0	0	0	Treble Steps
					0	0	0	1	-14dB
					0	0	1	0	-12dB
					0	0	1	1	-10dB
					0	1	0	0	-8dB
					0	1	0	1	-6dB
					0	1	1	0	-4dB
					0	1	1	1	-2dB
					1	1	1	1	0dB
					1	1	1	0	0dB
					1	1	0	1	+2dB
					1	1	0	0	+4dB
					1	0	1	1	+6dB
					1	0	1	0	+8dB
					1	0	0	1	+10dB
					1	0	0	1	+12dB
					1	0	0	0	+14dB
D4 Input Selector									
0	0	0	0	1					Bass Steps
0	0	0	0	0					-18dB
1	0	0	0	0					-16dB
1	0	0	0	1					-14dB
1	0	0	0	1					-12dB
1	0	0	1	0					-10dB
1	0	0	1	1					-8dB
1	0	1	0	0					-6dB
1	0	1	0	1					-4dB
1	0	1	1	0					-2dB
1	0	1	1	1					0dB
1	1	1	1	1					0dB
1	1	1	1	0					+2dB
1	1	1	0	1					+4dB
1	1	1	0	0					+6dB
1	1	0	1	1					+8dB
1	1	0	1	0					+10dB
1	1	0	0	1					+12dB
1	1	0	0	0					+14dB
0	1	0	0	0					+16dB
0	1	0	0	1					+18dB

For example 12dB Treble and -8dB Bass give the following DATA BYTE: 0 0 1 1 1 0 0 1

**Speaker Attenuators**

MSB				LSB				SPEAKER ATTENUATOR LF, LR, RF, RR
D <sub>7</sub>	D <sub>6</sub>	D <sub>5</sub>	D <sub>4</sub>	D <sub>3</sub>	D <sub>2</sub>	D <sub>1</sub>	D <sub>0</sub>	
X	X	0	0	0	0	0	0	0dB
X	X	0	0	0	0	0	1	-1dB
			:					:
X	X	0	1	1	0	0	0	-24dB
X	X	0	1	1	0	0	1	-25.5dB
X	X	0	1	1	0	1	0	-27dB
X	X	0	1	1	0	1	1	-28.5dB
X	X	0	1	1	1	0	0	-30dB
X	X	0	1	1	1	1	1	-32dB
X	X	0	1	1	1	1	0	-34.5dB
X	X	0	1	1	1	1	1	-37.5dB
						1		
X	X	1	X	X	X	X	X	Speaker Mute

**Loudness**

MSB							LSB		LOUDNESS
D7	D6	D5	D4	D3	D2	D1	D0		
X	X	X	0	0	0	0	0	0dB	
X	X	X	0	0	0	0	1	-1dB	
X	X	X	0	0	0	1	0	-2dB	
X	X	X	0	0	0	1	1	-3dB	
X	X	X	0	0	1	0	0	-4dB	
X	X	X	0	0	1	0	1	-5dB	
X	X	X	0	0	1	1	0	-6dB	
X	X	X	0	0	1	1	1	-7dB	
X	X	X	0	1	0	0	0	-8dB	
X	X	X	0	1	0	0	1	-9dB	
X	X	X	0	1	0	1	0	-10dB	
X	X	X	0	1	0	1	1	-11dB	
X	X	X	0	1	1	0	0	-12dB	
X	X	X	0	1	1	0	1	-13dB	
X	X	X	0	1	1	1	0	-14dB	
X	X	X	0	1	1	1	1	-15dB	
X	X	X	1	D3	D2	D1	D0	Loudness flat (Note 3)	

For example to select -14dB Loudness the Data Byte is : X X X 0 1 1 1 0.

**Note3:**

Fiat attenuation, according to the selected byte. The loudness can be completely disabled by setting bit D7 in the volume byte to "0". In this case the attenuation is 0dB independent from the loudness settings.

**Functional Description**

The input selector is able to select 1 stereo inputs and 1 mono input (AM). The inputs are DC biased with 100kΩ resistors to the internal reference voltage of 3V. The AM input can be use additionally as hardware mute pin. If this pin is pulled to ground by an external transistor and AM is not selected, the input selector mutes the input (reference voltage selected). The AM part is considered to be switched OFF. If the output of the AM part is not high ohmic in this condition, a series resistor of about 20kΩ has to be foreseen.

The volume control can be programmed from a gain of +32dB to an attenuation of -79dB in 1dB steps. The maximum gain should be kept as low as possible for system performance reason. It has to be limited by software to the absolute necessary system gain, depending on the signal source level and the power amplifier gain.

The bass control acts in a range from +18dB to -18dB in 2dB steps. The filter response is deter-

mined by the external filter components. An extensive simulation software is available in order to support the design of the bass filter response with different filter configurations.

The extended bass boost range of +18dB allows the implementation of the software loudness function by additional bass and treble boost.

The treble control acts in a range of ±14dB in 2dB steps. The external capacitor determines with the internal resistor of 50KΩ the corner frequency of the treble response.

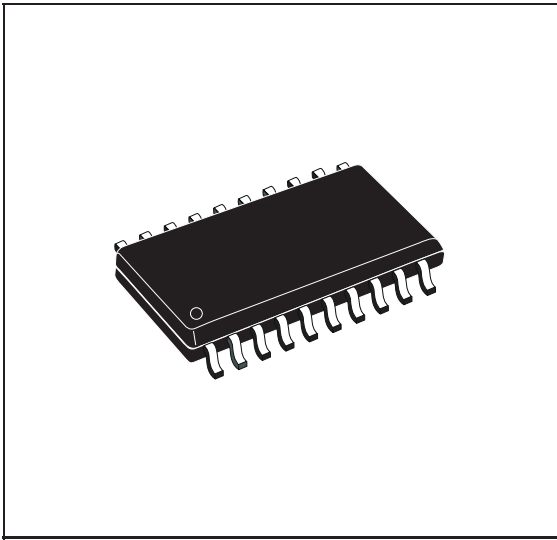
The four speaker attenuators can be controlled independently from 0 to -37.5dB, which allows the implementation of balance and fader a the four speaker system. The attenuation steps size is 1 db from 0 to -24dB and increases nonlinearly up to the maximum attenuation of 37.5dB. A special mute bit forces the speaker attenuator into the mute position.

All 4 outputs are low distortion push pull outputs, able to drive a load of 3kΩ.

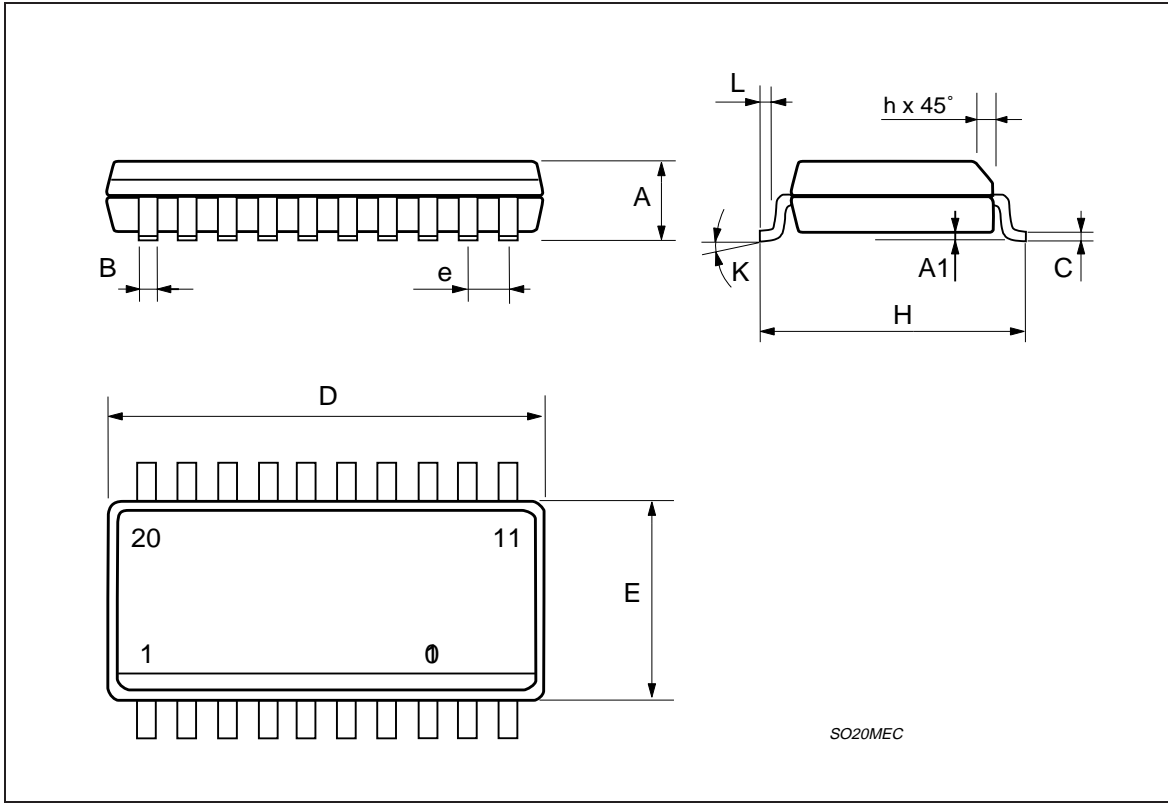


DIM.	mm			inch		
	MIN.	TYP.	MAX.	MIN.	TYP.	MAX.
A	2.35		2.65	0.093		0.104
A1	0.1		0.3	0.004		0.012
B	0.33		0.51	0.013		0.020
C	0.23		0.32	0.009		0.013
D	12.6		13	0.496		0.512
E	7.4		7.6	0.291		0.299
e		1.27			0.050	
H	10		10.65	0.394		0.419
h	0.25		0.75	0.010		0.030
L	0.4		1.27	0.016		0.050
K	0° (min.)8° (max.)					

**OUTLINE AND MECHANICAL DATA**



**SO20**



SO20MEC

Information furnished is believed to be accurate and reliable. However, STMicroelectronics assumes no responsibility for the consequences of use of such information nor for any infringement of patents or other rights of third parties which may result from its use. No license is granted by implication or otherwise under any patent or patent rights of STMicroelectronics. Specifications mentioned in this publication are subject to change without notice. This publication supersedes and replaces all information previously supplied. STMicroelectronics products are not authorized for use as critical components in life support devices or systems without express written approval of STMicroelectronics.

The ST logo is a registered trademark of STMicroelectronics.  
All other names are the property of their respective owners

© 2003 STMicroelectronics - All rights reserved

**STMicroelectronics GROUP OF COMPANIES**

Australia – Belgium - Brazil - Canada - China – Czech Republic - Finland - France - Germany - Hong Kong - India - Israel - Italy - Japan - Malaysia - Malta - Morocco - Singapore - Spain - Sweden - Switzerland - United Kingdom - United States

[www.st.com](http://www.st.com)